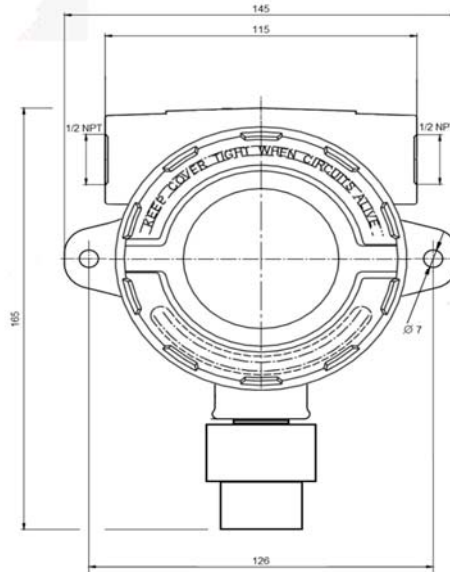


# FAST GUIDE SENSOTOX 2 (Ver.2)



1

## Physical description



2

## CAUTION

Before using the Sensotox 2, users who have or will have responsibility for use, maintenance or repair of the product must read and fully understand the user manual that user can download with the QR code attached.

Disconnect the power before removing sensor. Only if the work area is known non-hazardous, the cover and sensor can be removed.

## ATTENTION

At least 457 mm of armored cable must be used between group A and B zones.

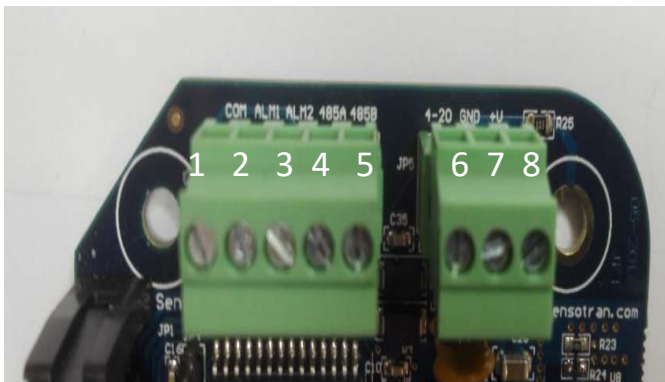
To prevent ignition in explosive atmospheres, the area must be free of flammable gases and the power supply to the detector must be disconnected before opening the cover.

For European applications, the installation must meet the requirements of EN 60079-14.

3

## Installing

Make 2 holes in the mounting surface 126 mm apart.



4

## Wiring

- Disconnect the two green connectors.
- Connect the Sensotox 2 cables via the connection holes. The pins correspond to the following table:

Terminal	Cable	Pin#
Block 1	Common Alarm (*)	1
	Low Alarm (*)	2
	High Alarm / Fault (*)	3
	RS485A	4
	RS485B	5
Block 2	4-20 mA output	6
	Power supply -	7
	Power supply + (9 a 36 V)	8

5

## Alarm contacts

	External alarm	LED	LCD	Analog output
Exceeds the low alarm threshold	Alarm ALM1	Low	Reading	Based on reading
Exceeds the high alarm threshold	Alarm ALM1	High	Reading	Based on reading
Out of range	Alarm ALM2	High	8888	22 mA
Calibration fault	Alarm ALM2	Fault	E003 flashing	2 mA
Sensor drift	Alarm ALM2	Fault	E004 flashing	2 mA
ADC saturated	Alarm ALM2	Fault	E005 flashing	2 mA

6

## Zero calibration (I)

1. Ensure that there are no flammable gases or gases that might interfere with the sensor reading in the area where the detector is located. Suspected that the atmosphere is not clean, use a zero gas such as Nitrogen 5.0

2. To accede to Calibration Menu, Press [MODE] from the actual reading screen. A "ZERO" message appears on the screen.

*Tip: To pass to Span Calibration, press [MODE].*

*To return to actual reading press [-].*

3. In atmosphere with pollutants, connect the calibration ZERO cylinder to the sensor head of the Sensotox 2 using the calibration adapter and apply the gas flow.

4. Press [+] to start calibration.

On display units:

The Zero LED will be lit and "2ErO" message will be displayed alternatively with a countdown.

On blind units:

The internal display shows "2" blinking.

*Tip: Before countdown will finish, you can cancel calibration by pressing any key.*

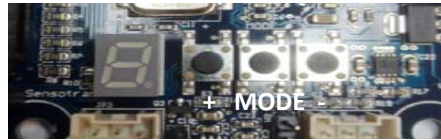
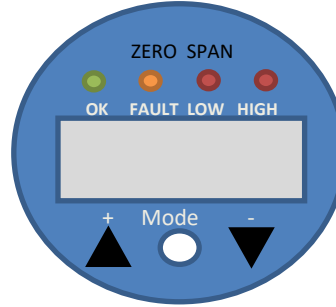
7

## Zero calibration (II)

5. When calibration is completed, calibration data will be saved.

Note: The machine returns to reading the display after 60 seconds of inactivity.

When Zero Calibration will be finished, instrument will advance to Span Calibration.



8

## Span calibration (I)

1. Connect the SPAN calibration cylinder to the sensor Sensotox head using the calibration adapter and applying a flow of gas.

*Tip: To accede the Span Calibration from reading display, press [MODE]. When "ZERO" appears, press [MODE] again to go to "SpAn".*

*Tip: To exit the calibration menu, press [-] to return the normal reading.*

Note: It is not necessary to exit from the calibration menu manually. After 60 seconds of inactivity, the Sensotox 2 automatically returns to the normal reading.

2. Press [+] to start calibration.

On display units:

The Span LED will be lit and "5PAn" message will be displayed alternatively with a countdown.

On blind units:

The internal display shows "5" blinking.

Note: Wait for the countdown in order to obtain a full calibration.

*Tip: Before countdown will finish, you can cancel calibration*

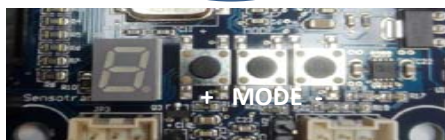
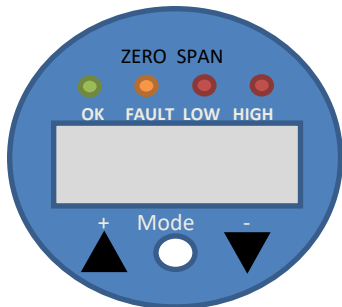
9

## Span calibration (II)

Once the calibration is completed, if the sensor does not have sensitivity enough for being calibrated, "FAIl" and "5PAn" messages will be displayed alternatively.

Note: Can be necessary replace the sensor if the Span calibration fails.

Once the calibration procedure is complete, after a few seconds the Sensotox 2 will return to the normal reading.



10

## Advanced Menu

Sensotox 2 Advanced Menu let you modify several configuration parameters. To enter into Advanced Menu, press the sequence [+], [-] and [MODE]. Display

Display	Setting
CALu	Span Calibration value
FC	Correction Factor (for LEL & VOC only)
LO	Low Alarm
HI	Hi Alarm
Id	Instrument ID
bAUd	Baud rate (19200, 9600 o 4800)
LItE	Backlight
Aout	Analogue output (4 / 20 mA)

11

## Download the user manual:



Sensotran, s.l.  
 Av. Remolar 31  
 08820 El Prat de Llobregat  
 BARCELONA - España  
 Tel. +34 93 478 58 42  
 www.sensotran.com